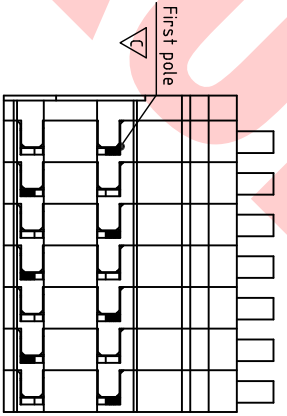
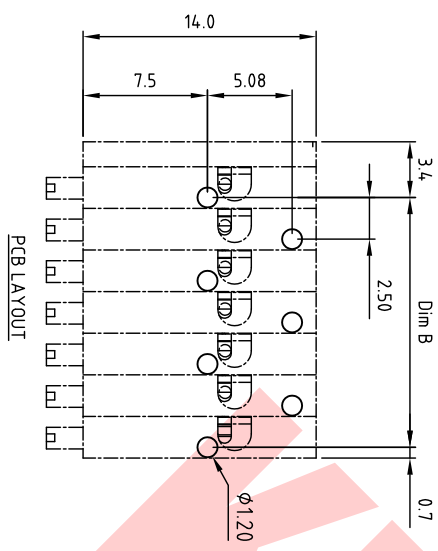
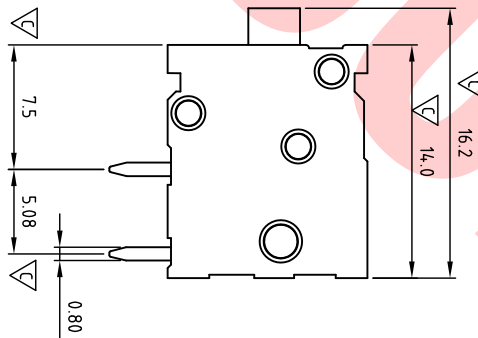
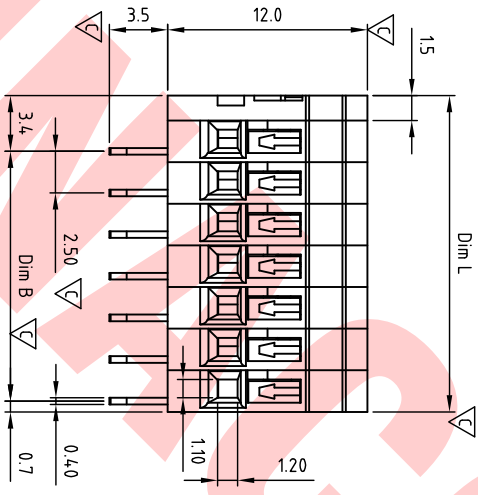
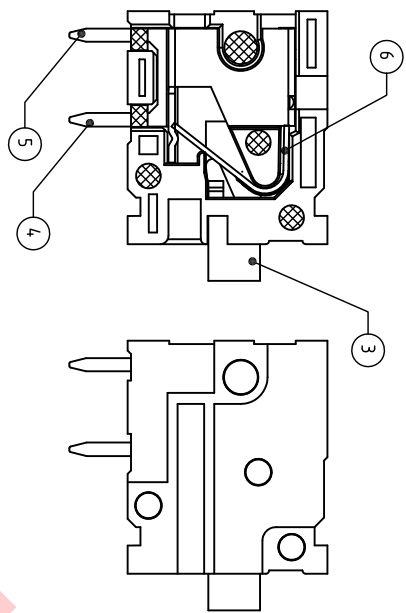
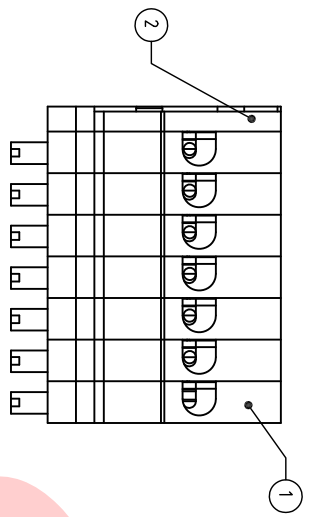
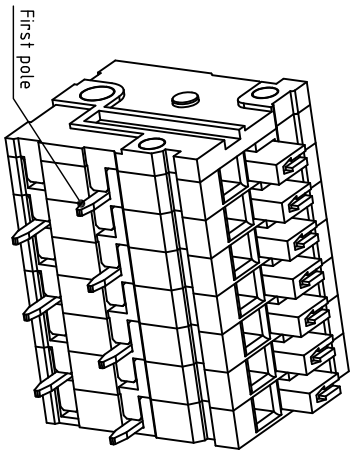


Transfer or duplication of this document as well as the utilisation or communication of its content are not permitted unless express consent is granted. Violations give rise to claims for damages. All rights reserved in case of patent, utility model or design patent registrations.



- Technical data**
- 1. Nominal voltage: 150V/6A
PITCH: 2.5mm
 - 2. Connection capacity:
AWG 26-18
 - 3. Insulation Withstands Voltage:
AC 1300V/MIN
 - 4. Insulation Resistance:
1000M Ω or more at DC500V
 - 5. Stripping length: 9-10mm
 - 6. Using temperature range: -40C \sim 115C \circ
Soldering temperature: 250 \pm 10C \circ /5s

7. Undimmed signed Tolerances:

Dim L=P \times 2.5+1.5 Dim B=(P-1) \times 2.5 P = number of poles(1-24P)	Dim B	Dim L
0-30mm	± 0.15	± 0.20
over 30mm-60mm	± 0.20	± 0.25
over 60mm-90mm	± 0.25	± 0.30
over 90mm	± 0.30	± 0.40

- 8. Safety approval:
 - 9. RoHS Compliance
 - 10. Critical dimension:
- SDHZ250 XX X XXX
 ① Poles 01-24
 ② Color
 ③ 0 Black 5 Green 6 Blue 8 Gray 9 White....
 ④ Custom
 000 "K" logo 00K KUNACON logo

ITEM	NAME OF PART	MATERIAL	NOTES	QTY
6	WIRE GUARD	Stainless steel		P
5	Back Single Contact	BRASS	Tin PLATED	1/2P
4	Front Single Contact	BRASS	Tin PLATED	1/2P
3	LEVEL	PA66 UL94V-0	ALL COLOR	P
2	End COVER	PA66 UL94V-0	ALL COLOR	1
1	BODY	PA66 UL94V-0	ALL COLOR	P

DWG	WF. Zhang	DATE	2017.07.27	UNITS	MM	SHEET:	1 OF 1	Tolerance
CHK.	WF. Zhang	DATE	2017.09.06	SCALE:	NONE 3:1 (.)	REV.:	A	± 0.50
APP.		DATE		TITLE:	SD-HZ250 Series 180D wire			± 0.30
					Inlet (Horizontal) 双排交错脚			± 0.10
					PART NO. SDHZ250XXXXXX			$\pm 1^{\circ}$
					DWG NO. SD-HZ250-B001			

SIGN	DESCRIPTION	CHK.	DATE

