


Technical data

- 1. Nominal voltage: 300V/8A (IEC 160V/8A)  
PITCH: 3.81mm
- 2. Connection capacity:  
AWG 30-16 (0.14-1.5mm<sup>2</sup>)
- 3. Insulation Withstands Voltage:  
AC 1600V/MIN / AC 2000V/MIN
- 4. Insulation Resistance:  
1000MΩ or more at DC500V
- 5. Tightening torque:  
2.3kgf.cm (0.23N.m)
- 6. Screw thread: M2
- 7. Stripping length: 6-7mm
- 8. Using temperature range: -40C°~115C°
- 9. Undimensioned Tolerances:

Dim L = P x 3.81	Dim B	Dim L
Dim B = (P-1) x 3.81	±0.15	±0.20
P = number of poles (2-24P)	±0.20	±0.25
	±0.25	±0.30
	±0.30	±0.40

10. Safety approval:  

11. RoHS Compliance

12. Critical dimension: 

MAST381 xx x xxx

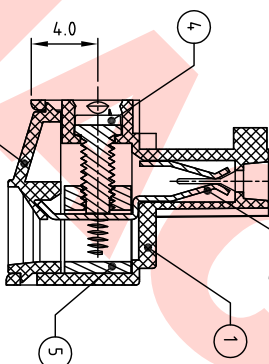
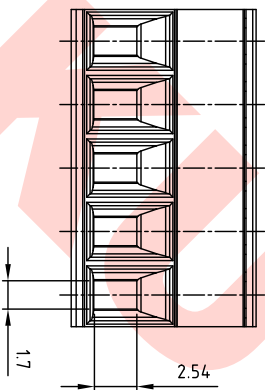
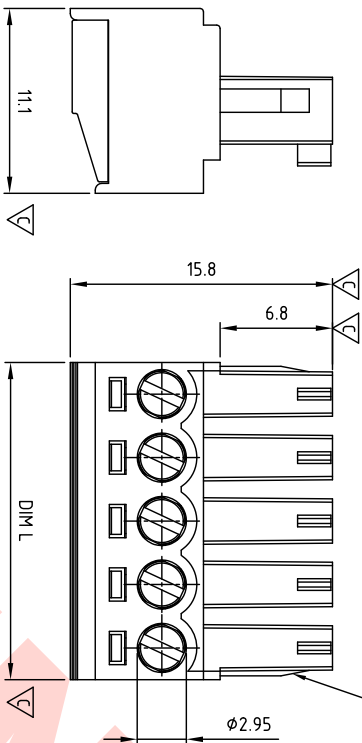
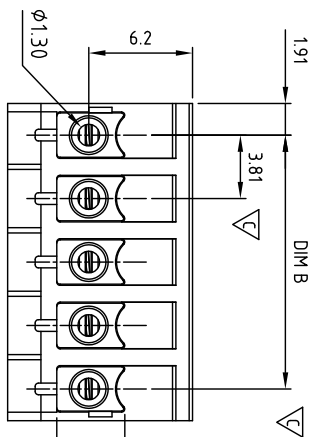
① Poles 02-24

② Color

0 Black 3 Orange 5 Green 6 Blue....

③ Custom

000 "K" logo 00K KUNACON logo

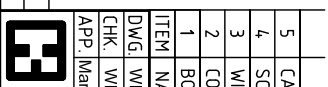


5	CAGE	BRASS	M2.0x0.4, Ni PLATED	P
4	SCREW	STEEL	M2.0x0.4, Zn Plated	P
3	WIRE GUARD	BRONZE (PbZ)	TIN PLATED	P
2	COVER	PA66 UL94V-0	GREEN	1
1	BODY	PA66 UL94V-0	GREEN	1

DWG	WF. Zhang	DATE	2016.03.10	UNITS:	MM	SHEET:	1 OF 1	Tolerance
CHK.	WF. Zhang	DATE	2016.03.30	SCALE:	NONE 2.5:1 (.)	REV.:	A	±0.50
APP.	Marvin Zhang	DATE	2016.03.30	TITLE:	MA-ST381 Series Without flange type			±0.30
				PART NO.:	MAST381xxxxxx			±0.10
				DWG NO.:	MA-S381-B001			±1°

△	SIGN	DESCRIPTION	CHK.	DATE
---	------	-------------	------	------

 KUNA Contact Technology Co, Ltd  
http://www.kunacon.com