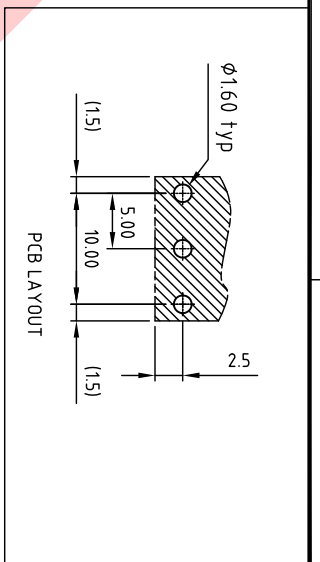
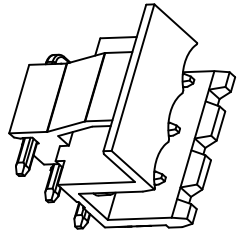
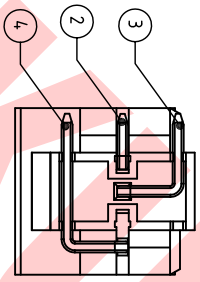
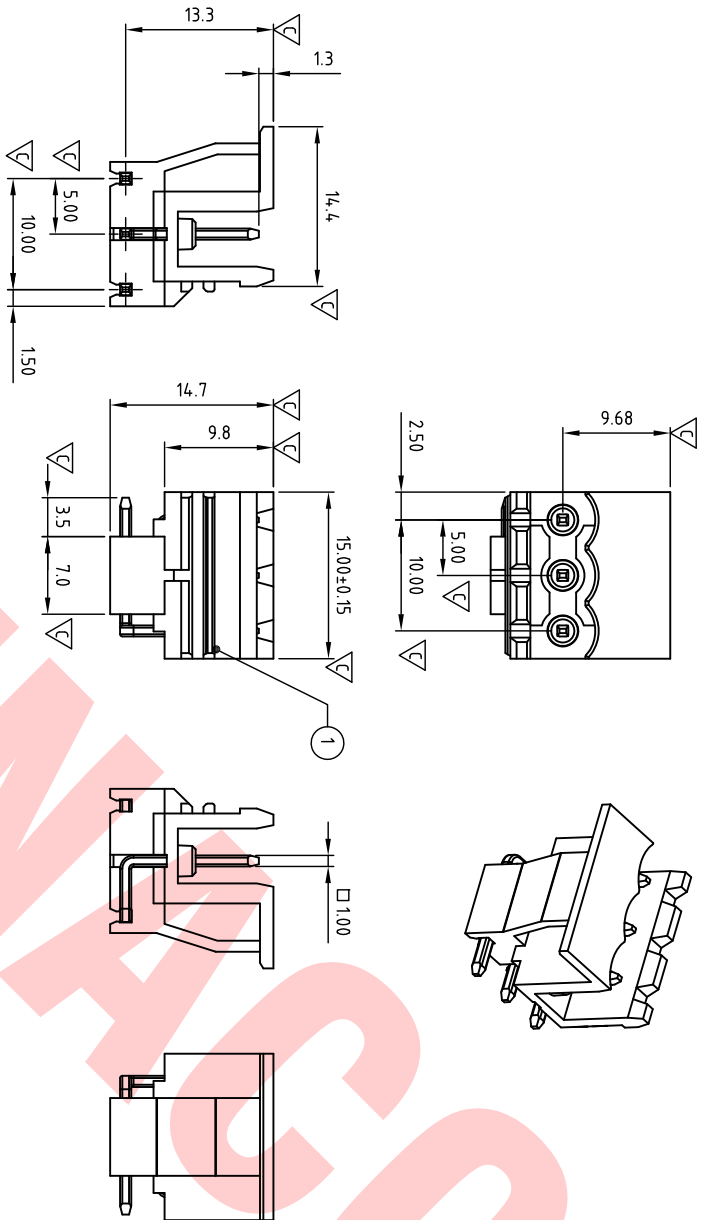


Transfer or duplication of this document as well as the utilisation or communication of its content are not permitted unless express consent is granted. Violations give rise to claims for damages. All rights reserved in case of patent, utility model or design patent registrations.



Technical data

- 1.Nominal voltage: 300V/15A
PITCH:5.00mm
- 2.Insulation Withstands Voltage:
AC 1600V/MIN
- 3.Insulation Resistance:
1000MΩ or more at DC500V
- 4.Using temperature range:-40℃ ~115℃
- 5.Soldering temperature range:250℃ ±10℃ /5sec
- 6.Safety approval:
- 7.RoHS Compliance
- 8.Critical dimension:

HDAR50003 X XXX

- ① Color
- 0 Black 3 Orange 5 Green 6 Blue....
- ② Custom
- 000 K MARK 00K KUNACON MARK.....

ITEM	NAME OF PART	MATERIAL	NOTES
4	PIN-03	COPPER	TIN PLATED
3	PIN-02	COPPER	TIN PLATED
2	PIN-01	COPPER	TIN PLATED
1	BODY	PA66 UL94V-0	

DWG.	DATE	UNITS	MM	SHEET:	1 OF 1	Tolerance
CHK. Marvin Zhang	DATE 2017.10.16	SCALE:	NONE 2:1 (.)	REV.: A		X ±0.50 XXX ±0.30 X± ±0.10 X± ±1°

APP.	DATE	TITLE:	PART NO.	DWG NO.
		"PCB on the Right"	HDAR50003XXXX	HD-AR500-B002

SIGN	DESCRIPTION	CHK.	DATE

