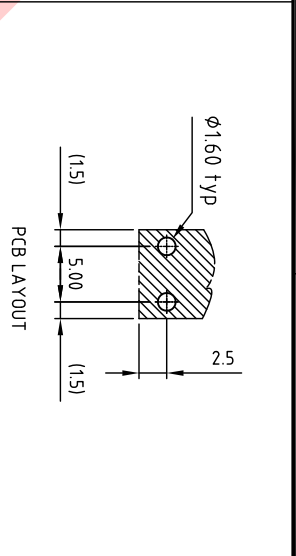
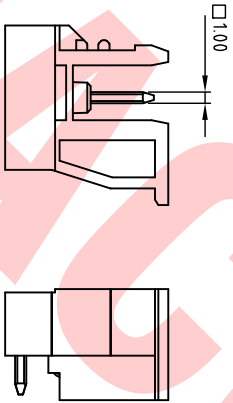
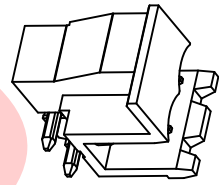
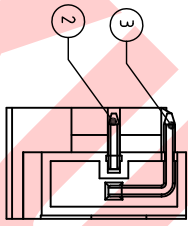
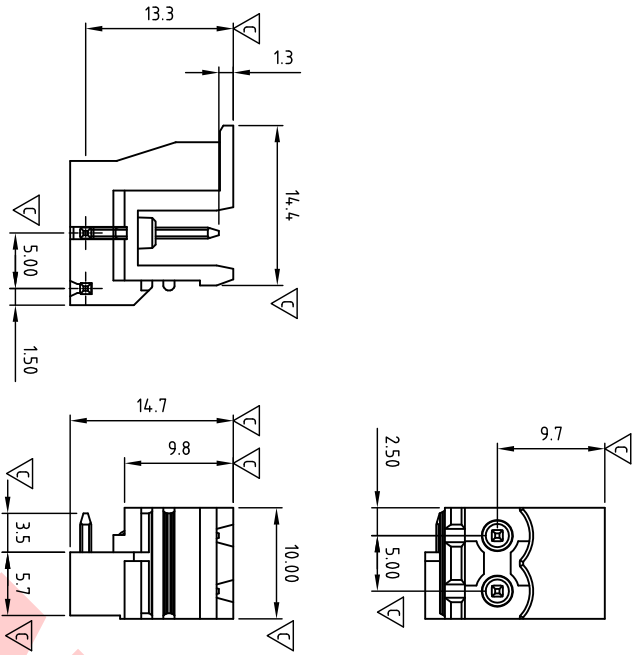


Transfer or duplication of this document as well as the utilisation or communication of its content are not permitted unless express consent is granted. Violations give rise to claims for damages. All rights reserved in case of patent, utility model or design patent registrations.



Technical data

- 1.Nominal voltage: 300V/15A
PITCH:5.00mm
- 2.Insulation Withstands Voltage:
AC 1600V/MIN
- 3.Insulation Resistace:
1000MΩ or more at DC500V
- 4.Using temperature range:-40°C ~115°C
- 5.Soldering temperature range:250°C ±10°C /5sec
- 6.Safety approval:
- 7.RoHS Compliance
- 8.Critical dimension:

HDAR50002 X.XXX

① ②

- ① Color
- 0 Black 3 Orange 5 Green 6 Blue....
- ② Custom
- 000 K MARK 00K KUNACON MARK.....

| | | | | |
|---|--------------|--------------|------------|------------|
| 3 | PIN-02 | COPPER | TIN PLATED | 1 |
| 2 | PIN-01 | COPPER | TIN PLATED | 1 |
| 1 | BODY | PA66 UL94V-0 | | 1 |
| ITEM NAME OF PART MATERIAL NOTES | | | | |
| DWG | Marvin Zhang | DATE | 2017.10.16 | MM |
| CHK | Marvin Zhang | DATE | 2017.10.16 | SCALE: |
| APP | | DATE | | UNIT: |
| TITLE: HD-AR500 Series 2P Header | | | | |
| PART NO: HDAR50002xxxx | | | | |
| DWG NO: HD-AR500-B001 | | | | |
| KUNA Contact Technology Co. Ltd http://www.kunacon.com | | | | Tolerance |
| | | | | X: ±0.50 |
| | | | | X.XX ±0.30 |
| | | | | X° ±0.10 |
| | | | | ±1° |

| | | | | |
|---|------|-------------|-----|------|
| △ | SIGN | DESCRIPTION | CHK | DATE |
| | | | | |