

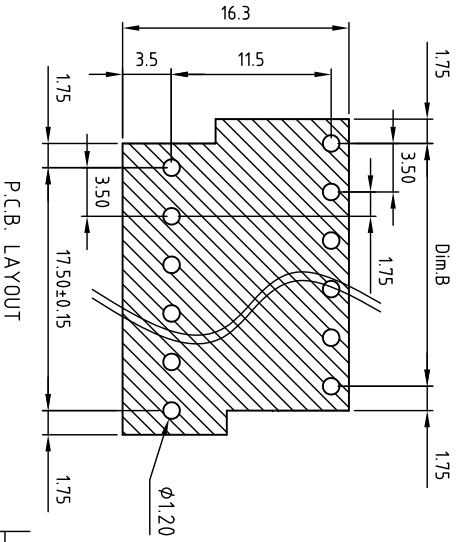
Technical data

- 1.Nominal voltage: 300V/10A
PITCH:3.5mm
- 2.Connection capacity:
AWG 24-16
- 3.Insulation Withstands Voltage:
AC 1600V/MIN
- 4.Insulation Resistance:
1000MΩ or more at DC500V
- 5.Tightening torque:
1.7Lb-In(2.0kgf.cm / 0.2N.m)
- 6.Screw thread: M2
- 7.Stripping length: 5-6mm
- 8.Using temperature range:-40C°~115C°
Soldering temperature:250±10C°/5s
- 9.Undimentioned Tolerances:

	Dim L=P×3.5 Dim B=(P-1)×3.5 P = 1/2(number of poles (2×2P-2×24P))	Dim B	Dim L
0-30mm		±0.15	±0.20
over 30mm-60mm		±0.20	±0.25
over 60mm-90mm		±0.25	±0.30
over 90mm		±0.30	±0.40

- 10.Safety approval:
11.RoHS Compliance
- 12.Critical dimension:

- FAHM350-xx X xxx
- ① Poles 04-4(8)×2-2×24)
- ② Color
- 0 Black 3 Orange 5 Green 6 Blue 8 Grey.....
- ③ Custom
- 000 K MARK 00K KUNACON MARK.....



REV	SIGN	DESCRIPTION	CHK	DATE
B	△	Changed is solid block type	WF.Z	9/03/18

ITEM	NAME OF PART	MATERIAL	NOTES
5	CONTACT	BRASS	Tin PLATED
4	CONTACT	BRASS	Tin PLATED
3	SCREW	STEEL	M3×0.5, Zn Plated
2	CAGE	BRASS	M3×0.5, Ni PLATED
1	BODY	PA66 UL94V-0	ALL COLOR

DWG	WF. Zhang	DATE	2018.09.13	UNITS:	MM	SHEET:	1 OF 1	Tolerance
CHK.	WF. Zhang	DATE	2018.12.21	SCALE:	NONE 2.5:1 (.)	REV.	B	X
APP.		DATE		TITLE:	FA-H350 Series 180D "-"			X.X
				PART NO.:	FAHM350xxxxxx			X.XX
				DWG NO.:	FA-H350-B001			±0.10
								X°
								±1°

KUNA Contact Technology Co. Ltd
http://www.kunacont.com