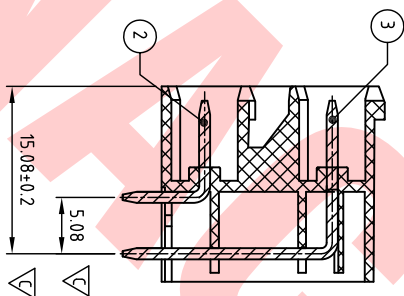
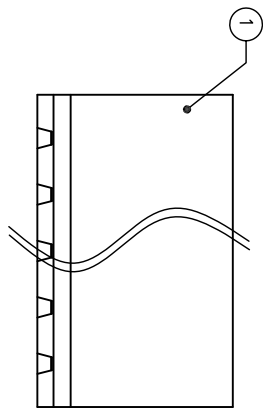
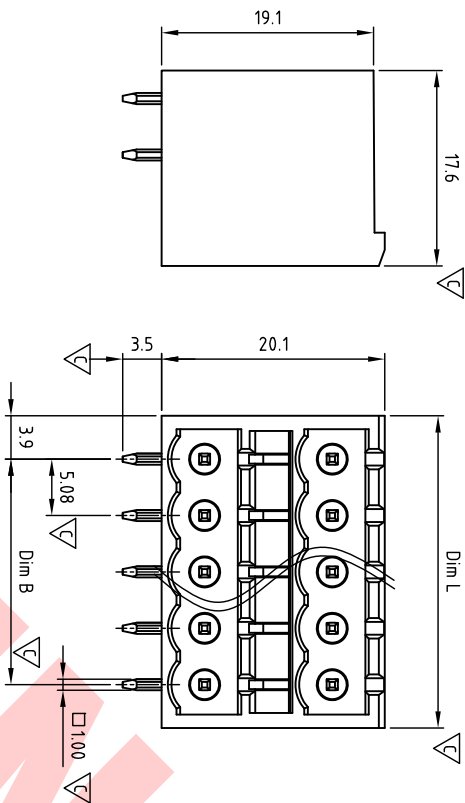
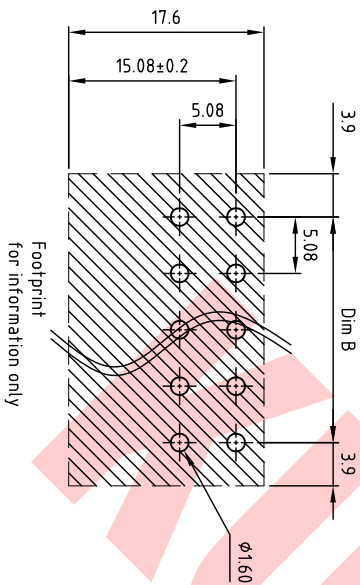


Transfer or duplication of this document as well as the utilisation or communication of its content are not permitted unless express consent is granted. Violations give rise to claims for damages. All rights reserved in case of patent, utility model or design patent registrations.



Technical data

- Nominal voltage: 300V/15A (IEC 320/12A)
Pitch: 5.08mm
- Insulation Withstanding Voltage:
AC 1600V/MIN (AC 2200V/MIN)
- Insulation Resistance:
1000MΩ or more at DC500V
- Using temperature range: -40°C ~ +115°C
Soldering temperature: 250 ± 10°C / 5s
- Undimensioned Tolerances:

Dim L = (P-1) × 5.08 + 7.8 Dim B = (P-1) × 5.08 P = 1/2 Number of poles (4-48P)	Dim B	Dim L
0-30mm	±0.15	±0.20
over 30mm-60mm	±0.20	±0.25
over 60mm-90mm	±0.25	±0.30
over 90mm	±0.30	±0.40
Normal Geometric Tolerancing	—	≡
0-100mm	±0.25	±0.30
over 100mm-150mm	±0.30	±0.30
over 150mm	±0.50	±0.30
0-10mm	±0.20	
over 10mm	±0.30	

- Safety approval:
- RoHS Compliance
- Critical dimension:

HAEH508 xx X 1xx

- ⊖ Poles 0+ -48(2×02-2×24)
- ⊖ Color
- 0 Black 3 Orange 5 Green 6 Blue G Pale Gray.....
- ⊖ Custom
- 100 K MARK 10K KUNACON MARK 10N NO MARK.....

REV	SIGN	DESCRIPTION	CHK	DATE					
	△								
3	PIN 2	COPPER							
2	PIN 1	COPPER							
1	BODY	PA66 UL94V-0							
ITEM	NAME OF PART	MATERIAL	NOTES						
DWG	WF. Zhang	DATE	2019.04.29	UNITS:	MM	SHEET:	1 OF 1	Tolerance	
CHK.	WF. Zhang	DATE	2019.07.16	SCALE:	NONE 2:1 (.)	REV.:	A		
APP.		DATE		TITLE:	Ultra thin type				
PART NO.	HAEH508xxx1xx			PART NO.	HA-EH508-B101				
DWG NO.	HA-EH508-B101								
KUNA Contact Technology Co., Ltd									
http://www.kunacon.com									