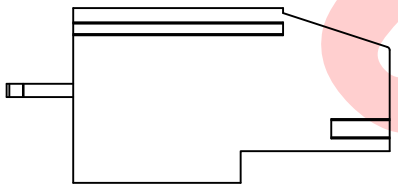
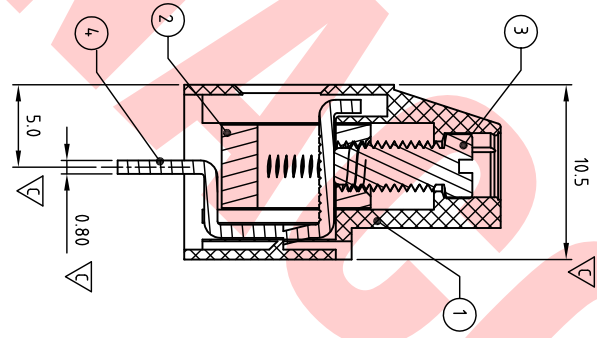
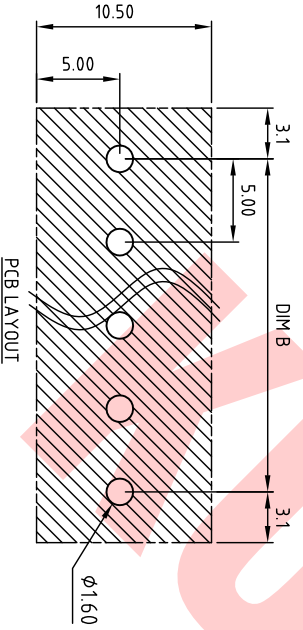
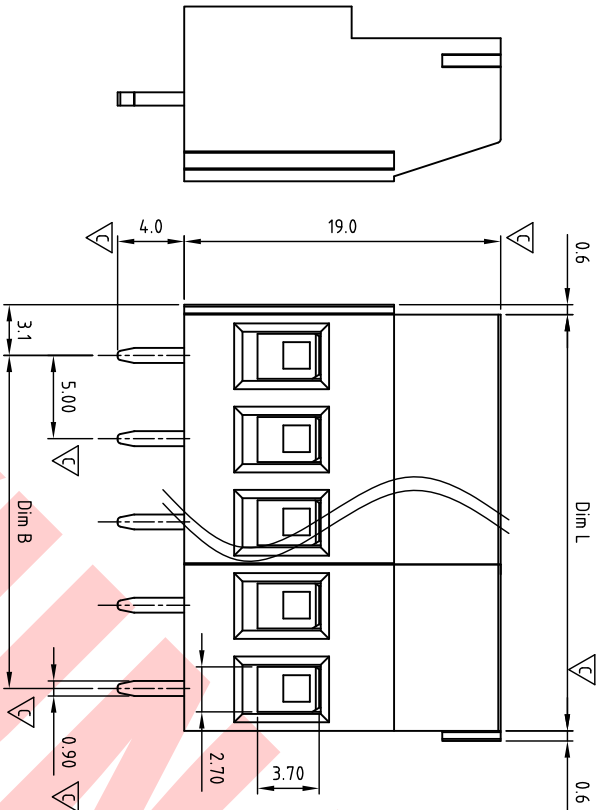
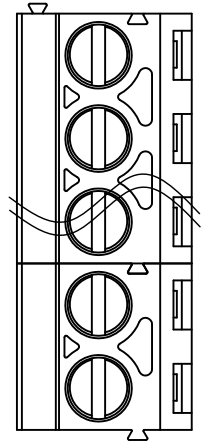


Transfer or duplication of this document as well as the utilisation or communication of its content are not permitted unless express consent is granted. Violations give rise to claims for damages. All rights reserved in case of patent, utility model or design patent registrations.



Technical data

1. Nominal voltage: 300V/20A
Pitch: 5.0mm
2. Connection capacity:
AWG 30-12
3. Insulation Withstands Voltage:
AC 1600V/MIN
4. Insulation Resistance:
1000M Ω or more at DC500V
5. Tightening torque:
4. 3Lb-In(5.0kgf.cm / 0.5N.m)
6. Screw thread: M3
7. Stripping length: 7-8mm
8. Using temperature range: -40C \sim 115C \circ
Soldering temperature: 250 \pm 10C \circ /5S
9. Undimensioned Tolerances:

Dim L=P \times 5.0	Dim B	Dim L
Dim B=P-1(X)5.0	0-30mm	± 0.15
P= number of poles (02-24P)	over 30mm-60mm	± 0.20
	over 60mm-90mm	± 0.25
	over 90mm	± 0.30
		± 0.40

10. Safety approval:
11. RoHS Compliance
12. Critical dimension:

EJHM500 xx x HOXA
EJHM500 X HOX

- ① Poles 02-24
- ② Color
0 Black 3 Orange 5 Green 6 Blue G Pale gray.....
- ③ Custom
H00 K MARK H0K KUNACON MARK.....

4	CONTACT	BRASS	Tin PLATED	P
3	SCREW	STEEL	M3 \times 0.5, Zn Plated	P
2	CAGE	BRASS	M3 \times 0.5, Ni PLATED	P
1	BODY	PA66 UL94V-0	ALL COLOR	1

ITEM NAME OF PART		MATERIAL		NOTES	
DWG.	WF. Zhang	DATE	2017.03.03	MM	SHEET: 1 OF 1
CHK.	WF. Zhang	DATE	2017.03.10	SCALE:	NONE 3:1 (.) REV.: A
APP.		DATE		TITLE:	EJ-H500 Series 2-Headerlock (180D " " Slot Screw(H=19.0mm))
KUNA Contact Technology Co. Ltd		http://www.kunacon.com		PART NO.	EJHM500XXXXXX
				DWG NO.	EJ-H500-B101
				Tolerance	± 0.50
					± 0.30
					± 0.10
					$\pm 1^{\circ}$

△	SIGN	DESCRIPTION	CHK.	DATE
---	------	-------------	------	------