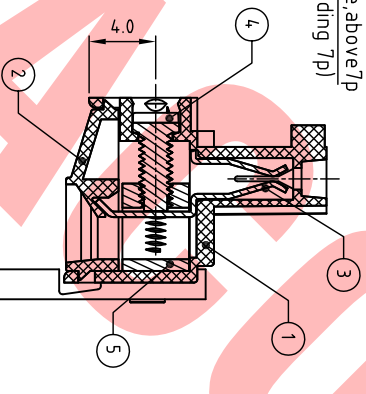


Body pole 产品位数	handle pole 搭配手柄位数
2p, 4p	2p
3p, 5p, 7p	3p
6p, 8p	4p
9p, 11p, 13p	5p
10p, 12p, 14p	6p
15p, 17p, 19p	7p
16p, 18p, 20p	8p
21p, 23p	9p
22p, 24p	10p



Technical data

1. Nominal voltage: 300V/8A (IEC 160V/8A)

PITCH: 3.5mm

2. Connection capacity:
AWG 30-16 (0.14-1.5mm²)

3. Insulation Withstands Voltage:
AC 1600V/MIN / AC 2000V/MIN

4. Insulation Resistance:
1000M Ω or more at DC500V

5. Tightening torque:
2.3kgf.cm (0.23N.m)

6. Screw thread: M2


7. Stripping length: 6-7mm


8. Using temperature range: -40C ~ 115C^o

9. Undimensioned Tolerances:

	Dim L=P \times 3.5	Dim B=(P-1) \times 3.5	P = number of poles
0-30mm	± 0.15	± 0.20	± 0.25
over 30mm-60mm	± 0.20	± 0.25	± 0.30
over 60mm-90mm	± 0.25	± 0.30	± 0.40
over 90mm	± 0.30	± 0.30	± 0.40

10. Safety approval:  

11. RoHS Compliance 

12. Critical dimension: 

MAST350 $\times \times \times$ H0X

① Poles 02-24

② Color


0 Black 3 Orange 5 Green 6 Blue 8 Dark gray G Pale gray.....

③ Custom

H00 "K" logo H0K KUNACON logo

ITEM	NAME OF PART	MATERIAL	NOTES
6	HANDLE	PA66 UL94V-0	ALL COLOR
5	CAGE	BRASS	M2.0 \times 0.4, Ni PLATED
4	SCREW	STEEL	M2.0 \times 0.4, Zn Plated
3	WIRE GUARD	BRONZE (PbZn)	TIN PLATED
2	COVER	PA66 UL94V-0	ALL COLOR
1	BODY	PA66 UL94V-0	ALL COLOR

DWG	WF. Zhang	DATE	2017.08.31	UNITS:	MM	SHEET:	1 OF 1	Tolerance
CHK.	WF. Zhang	DATE	2017.08.31	SCALE:	NONE 2.5:1 (.)	REV.:	A	X, ± 0.50
APP.		DATE		TITLE:	MA-ST350 Series " " slot			X.X ± 0.30
				PART NO.:	MAST350xxxxH0X			X.XX ± 0.10
				DWG NO.:	MA-S360-B101			X ^o $\pm 1^o$

SIGN	DESCRIPTION	CHK.	DATE
			

KUNA Contact Technology Co. Ltd
http://www.kunacon.com