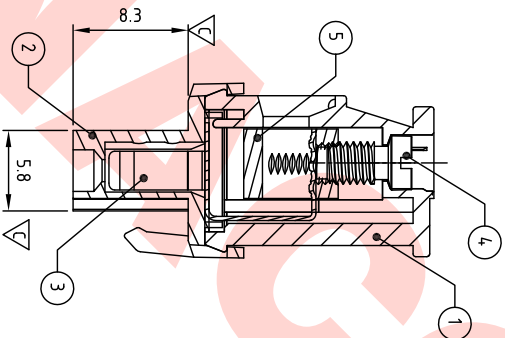


2p



Technical data

- 1. Nominal voltage: 300V/15A (IEC 320V/12A)  
PITCH: 5.08mm
  - 2. Connection capacity:  
AWG 30-12 (0.2-2.5mm<sup>2</sup>)
  - 3. Insulation Withstands Voltage:  
AC 1600V/MIN / 2500V/MIN
  - 4. Insulation Resistance:  
1000MΩ or more at DC500V
  - 5. Tightening torque:  
5kgf·cm (0.5N·m / 4.3 Lb-in)
  - 6. Screw thread: M3
  - 7. Stripping length: 6-7mm
  - 8. Using temperature range: -40C°~115C°
  - 9. Undimensioned Tolerances:  
Dim L=P×5.08  
Dim B=(P-1)×5.08  
P= number of poles
- |                | Dim B | Dim L |
|----------------|-------|-------|
| 0-30mm         | ±0.15 | ±0.20 |
| over 30mm-60mm | ±0.20 | ±0.25 |
| over 60mm-90mm | ±0.25 | ±0.30 |
| over 90mm      | ±0.30 | ±0.40 |
- 10. Safety approval:
  - 11. RoHS Compliance
  - 12. Critical dimension:
- MBSW508 xx x xxx
- ① Poles 02-24
  - ② Color
  - 0 Black 3 Orange 5 Green 6 Blue 8 Gray.....
  - ③ Custom
  - 000 K MARK 00K KUNACON MARK .....

ITEM	NAME OF PART	MATERIAL	NOTES
1	UP BODY	PA66 UL94V-0	1
2	DOWN BODY	PA66 UL94V-0	1
3	WIRE GUARD	BRONZE (PbZ)	TIN PLATED
4	SCREW	STEEL	M3.0×0.5, Ni PLATED
5	CAGE	BRASS	M3.0×0.5, Ni PLATED

DWG.	WF.	DATE	UNITS	MM	SHEET	1 OF 1	Tolerance	
CHK.	WF. Zhang	DATE 2016.03.30	SCALE:	NONE 2.5:1 (.)	REV.:	A	X, ±0.50	
APP.	Marvin Zhang	DATE 2016.03.30	TITLE:	MB-SW508 Series W/o Flange				X, X ±0.30
				" " Slot screw type				X, X ±0.10
				PART NO. MBSW508xxxxxx				X, ±1p

KUNYA Contact Technology Co, Ltd  
http://www.kunyacon.com

DWG NO. MBS-S508-B002

SIGN	DESCRIPTION	CHK.	DATE
△			