

Technical data

- 1. Nominal voltage: 300V/8A (IEC 160V/8A)
PITCH: 3.5mm
- 2. Connection capacity:
AWG 30-16 (0.14-1.5mm²)
- 3. Insulation Withstands Voltage:
AC 1600V/MIN / AC 2000V/MIN
- 4. Insulation Resistance:
1000MΩ or more at DC500V
- 5. Tightening torque:
2.3kgf.cm (0.23N.m)
- 6. Screw thread: M2
- 7. Stripping length: 6-7mm
- 8. Using temperature range: -40C°~115C°
- 9. Undimensioned Tolerances:

Dim L=P×3.5 Dim B=(P-1)×3.5 P = number of poles	0-30mm	±0.15	±0.20
	over 30mm-60mm	±0.20	±0.25
	over 60mm-90mm	±0.25	±0.30
	over 90mm	±0.30	±0.40



- 10. Safety approval:
- 11. RoHS Compliance
- 12. Critical dimension:

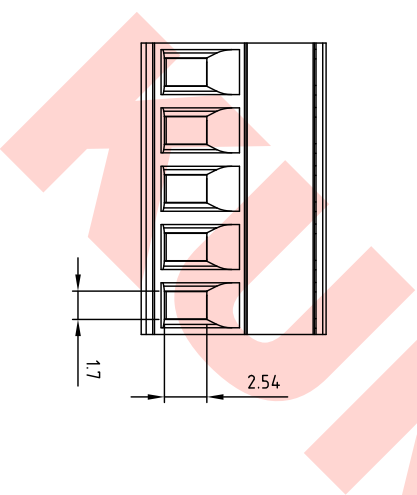
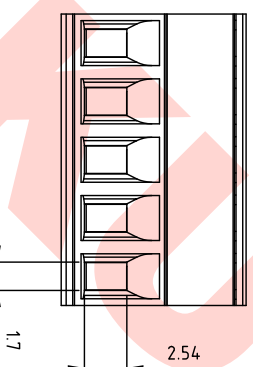
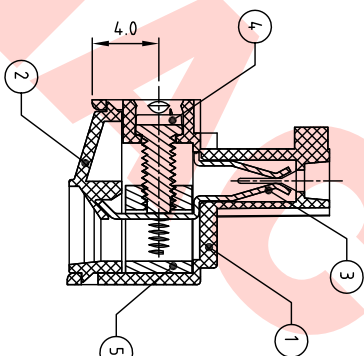
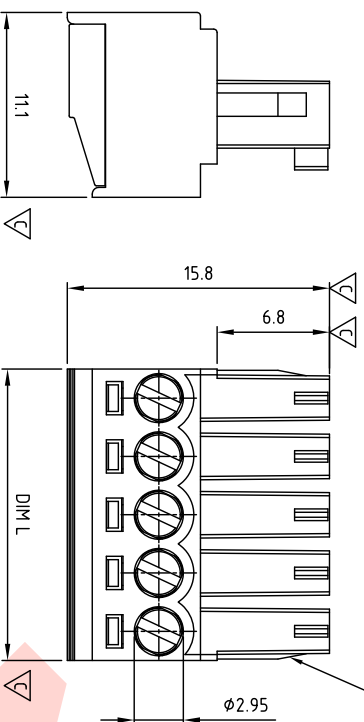
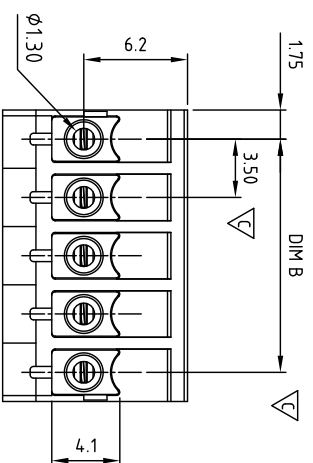


MAST350 XX X XXX

① Poles 02-24

② Color
0 Black 3 Orange 5 Green 6 Blue.....

③ Custom
000 "K" logo 00K KUNACON logo



ITEM	NAME OF PART	MATERIAL	NOTES	QTY
5	CAGE	BRASS		P
4	SCREW	STEEL	M2.0×0.4, Ni PLATED	P
3	WIRE GUARD	BRONZE (PbZn)	M2.0×0.4, Zn Plated	P
2	COVER	PA66 UL94V-0	TIN PLATED	P
1	BODY	PA66 UL94V-0	GREEN	1

DWG.	WF. Zhang	DATE	2016.03.10	UNITS:	MM	SHEET:	1 OF 1	Tolerance
CHK.	WF. Zhang	DATE	2016.03.30	SCALE:	NONE 2.5:1 (.)	REV.:	A	X ±0.50
APP.	WF. Zhang	DATE	2016.03.30	TITLE:	MA-ST350 Series " " slot			X.X ±0.30
				PART NO.:	MAST350xxxxxx			X.XX ±0.10
				DWG NO.:	MA-S350-B001			X* ±1*



KUNACON Contact Technology Co. Ltd
http://www.kunacon.com

SIGN

DESCRIPTION

CHK.

DATE



DESCRIPTION

CHK.

DATE



DESCRIPTION