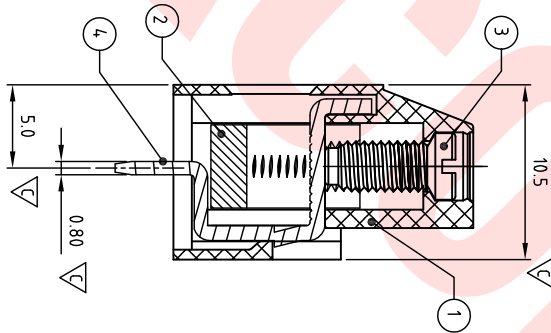
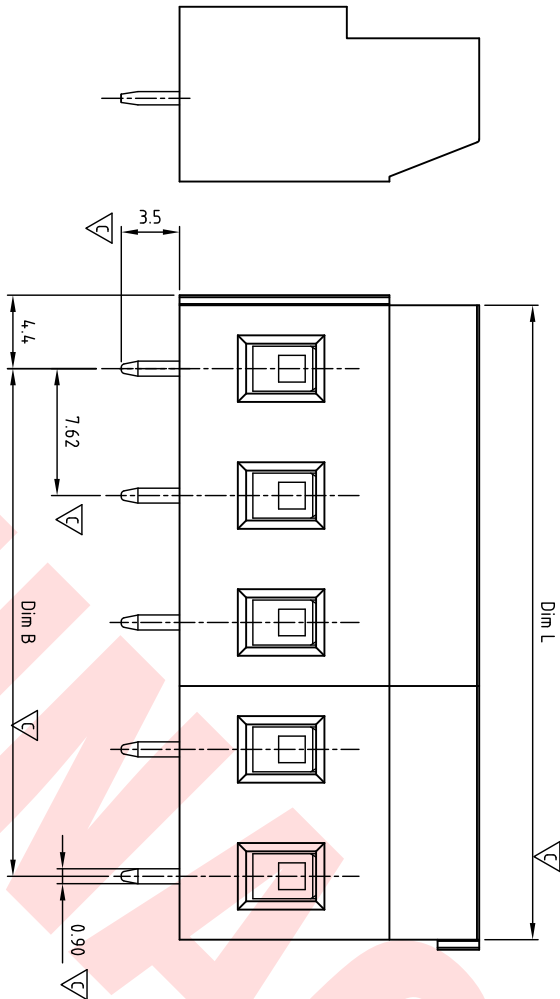
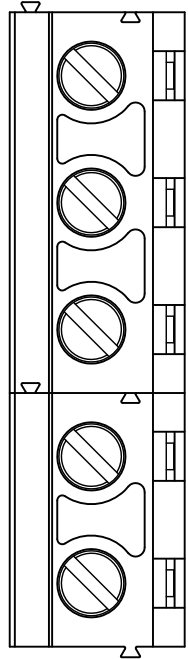


Transfer or duplication of this document as well as the utilisation or communication of its content are not permitted unless express consent is granted. Violations give rise to claims for damages. All rights reserved in case of patent, utility model or design patent registrations.



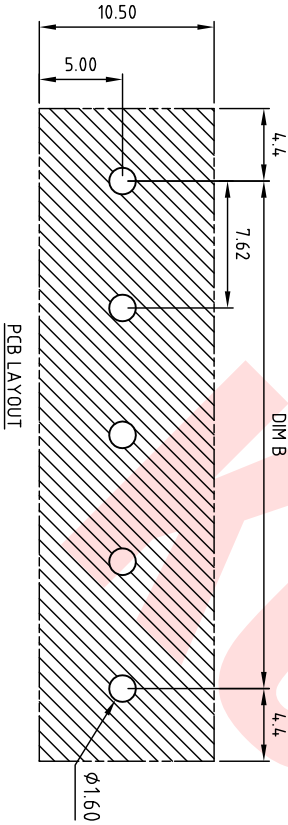
Technical data

- 1.Nominal voltage: 300V/20A
- PITCH: 7.62mm
- 2.Connection capacity: AWG 30-12
- 3.Insulation Withstands Voltage: AC 1600V/MIN
- 4.Insulation Resistance: 1000MΩ or more at DC500V
- 5.Tightening torque: 4.3lb·In(5.0kgf·cm / 0.5Nm)
- 6.Screw thread: M3
- 7.Stripping length: 7-8mm
- 8.Using temperature range: -40C° ~ 115C°
- Soldering temperature: 250±10C°/5s
- 9.Undimentioned Tolerances:

|                              |                      |       |
|------------------------------|----------------------|-------|
| Dim L = P x 7.62             | Dim B                | Dim L |
| Dim B = (P - 1) x 7.62       | 0-30mm ±0.15         | ±0.20 |
| P = number of poles (02-12P) | over 30mm-60mm ±0.20 | ±0.25 |
|                              | over 60mm-90mm ±0.25 | ±0.30 |
|                              | over 90mm ±0.30      | ±0.40 |

- 10.Safety approval:
- 11.RoHS Compliance:
- 12.Critical dimension:

EJHM762 XX XXX  
 ①Poles 02-24  
 ②Color  
 0 Black 3 Orange 5 Green 6 Blue G Pale gray....  
 ③Custom  
 000 K MARK 00K KUNACON MARK....



|   |             |  |      |
|---|-------------|--|------|
| △ | SIGN        |  |      |
|   | DESCRIPTION |  |      |
|   | CHK.        |  | DATE |

|   |         |              |                   |   |
|---|---------|--------------|-------------------|---|
| 4 | CONTACT | BRASS        | Tin PLATED        | P |
| 3 | SCREW   | STEEL        | M3x0.5, Zn Plated | P |
| 2 | CAGE    | BRASS        | M3x0.5, Ni PLATED | P |
| 1 | BODY    | PA66 UL94V-0 | ALL COLOR         | 1 |

|                   |                 |                                   |               |           |
|-------------------|-----------------|-----------------------------------|---------------|-----------|
| DWG. WF. Zhang    | DATE 2016.03.10 | UNITS: MM                         | SHEET: 1 OF 1 | Tolerance |
| CHK. W/F. Zhang   | DATE 2016.03.31 | SCALE: NONE 3:1 (.)               | REV.: A       | ±0.50     |
| APP. Marvin Zhang | DATE 2016.03.31 | TITLE: EJ-H762 Series 2-Interlock |               | ±0.30     |
|                   |                 | 180D " " Slot Screw               |               | ±0.10     |
|                   |                 | PART NO. EJHM762xxxxxx            |               | ±1°       |
|                   |                 | DWG NO. EJ-H762-B001              |               |           |

