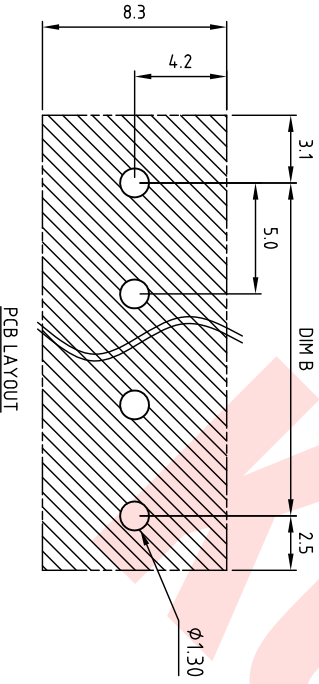
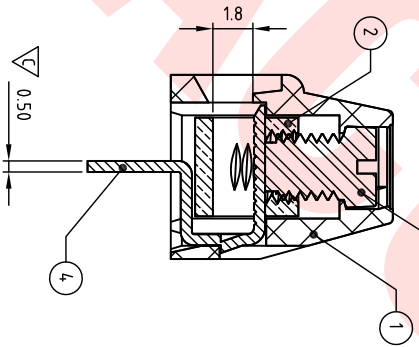
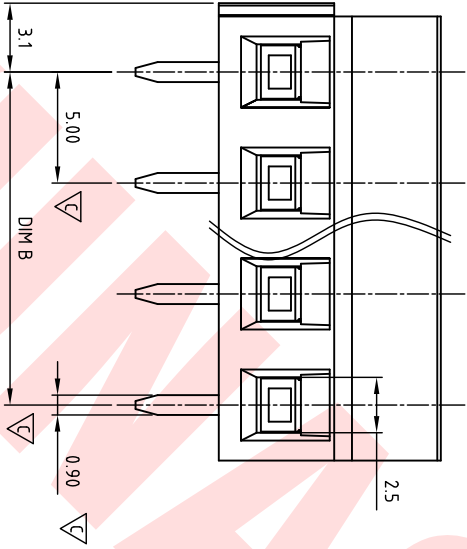
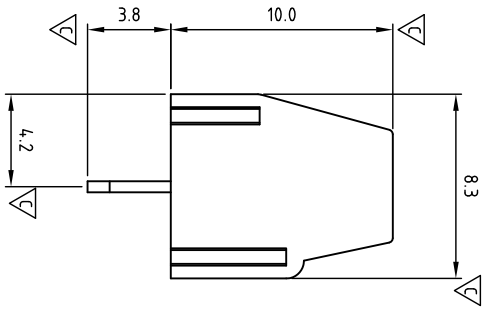
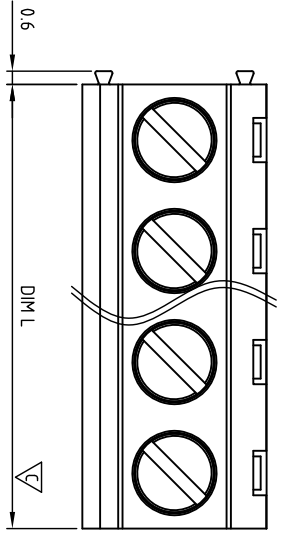


Transfer or duplication of this document as well as the utilisation or communication of its content are not permitted unless express consent is granted. Violations give rise to claims for damages. All rights reserved in case of patent, utility model or design patent registrations.



Technical data

1.Nominal voltage: 300V/10A (IEC 250V/17.5A)
PITCH:5.0mm

2.Connection capacity:
AWG 30-16 (0.5-1.5mm²)

3.Insulation Withstands Voltage:
AC 1600V/MIN AC 2500V/MIN

4.Insulation Resistance:
1000MΩ or more at DC500V

5.Tightening torque:
4.0kgf.cm (0.4N.m)

6.Screw thread: M3

7.Stripping length: 5-6mm

8.Using temperature range:-40C°-115C°

9.Undimensioned Tolerances:

Dim L=P×5.0 Dim B=(P-1)×5.0 P= number of poles	Dim B	Dim L
0-30mm	±0.15	±0.20
over 30mm-60mm	±0.20	±0.25
over 60mm-90mm	±0.25	±0.30
over 90mm	±0.30	±0.40

10.Safety approval:

11.RoHS Compliance

12.Critical dimension:

EGHS500 xx X xxx

① Poles 04-24

② Color
0 Black 3 Orange 5 Green 6 Blue.....

③ Custom
000 K MARK 00K KUNACON MARK.....

ITEM	NAME OF PART	MATERIAL	NOTES
4	CONTACT	BRASS	Tin PLATED
3	SCREW	STEEL	M3×0.5, Zn Plated
2	CAGE	BRASS	M3×0.5, NI PLATED
1	BODY	PA66 UL94V-0	ALL COLOR

DWG. W/F.	Zhang	DATE	2016.03.10	UNITS:	MM	SHEET:	1 OF 1	Tolerance
CHK.	W/F. Zhang	DATE	2016.03.31	SCALE:	NONE 2.5:1 (.)	REV.:	A	X, ±0.50
APP.	Marvin Zhang	DATE	2016.03.31	TITLE:	EG-HS500 Series "x" slot screw Solid block type			X,X ±0.30 X,X ±0.10 X° ±1°

PART NO.	EGHS500xxxxxx	DWG NO.	EG-H500-B101
KUNA Contact Technology Co. Ltd http://www.kunacon.com			

△
SIGN

DESCRIPTION

CHK.

DATE



KUNA Contact Technology Co. Ltd
<http://www.kunacon.com>

PART NO.

EG-H500-B101

