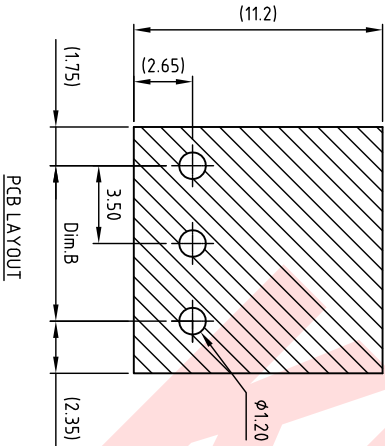
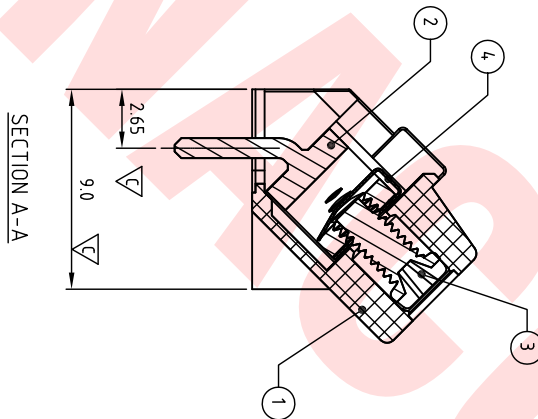
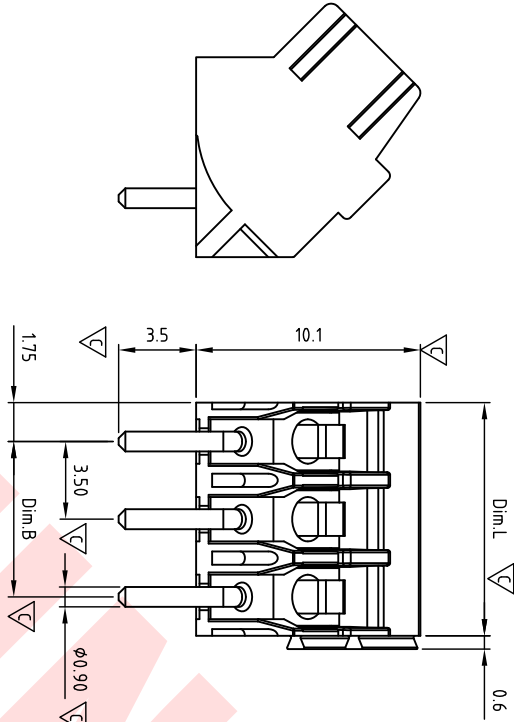
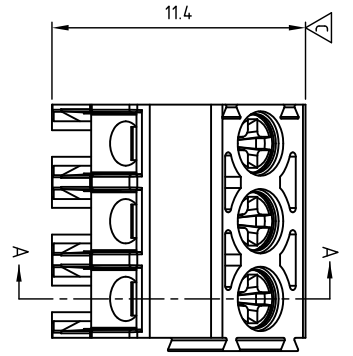





Transfer or duplication of this document as well as the utilisation or communication of its content are not permitted unless express consent is granted. Violations give rise to claims for damages. All rights reserved in case of patent, utility model or design patent registrations.



Technical data

- 1.Nominal voltage: 300V/10A
 - PITCH:3.5mm
 - 2.Connection capacity: AWG 26-16
 - 3.Insulation Withstands Voltage: AC 1600V/MIN
 - 4.Insulation Resistance: 1000MΩ or more at DC500V
 - 5.Tightening torque: 2.0kgf.cm (0.2Nm)
 - 6.Screw thread: M2
 - 7.Stripping length: 4-5mm
 - 8.Using temperature range:-40C°-115C°
 - 9.Undimentioned Tolerances:

Dim L=P×3.5	Dim B	Dim L
Dim B=(P-1)×3.5	0-30mm	±0.15
P= number of poles	over 30mm-60mm	±0.20
	over 60mm-90mm	±0.25
	over 90mm	±0.30
		±0.40
 - 10.Safety approval: 
 - 11.RoHS Compliance 
 - 12.Critical dimension: 
- DJAS350 xx X 1xx
 ① Poles 02-24
 ② Color
 0 Black 3 Orange 5 Green 6 Blue 8 Grey....
 ③ Custom
 000 "K" logo 00K KUNACON logo

△	SIGN		DATE
	DESCRIPTION	CHK	DATE

4	WIRE GUARD	Stainless steel		P
3	SCREW	STEEL	M2.0, Zn Plated	P
2	CAGE	BRASS	M2.0, Tin PLATED	P
1	BODY	PA66 UL94V-0	ALL COLOR	1

DWG	WF: Zhang	DATE	2016.03.10	UNITS:	MM	SHEET:	1 OF 1	Tolerance	0.1TY
CHK	WF: Zhang	DATE	2016.03.31	SCALE:	NONE 4:1 (.)	REV:	A		
APP	Marvin Zhang	DATE	2016.03.31	TITLE:	DJ-AS350 Series +/- slot screw type	PART NO.:	DJAS350xxx1xx		
				DWG NO.:	DJ-A350-B001				

KUNA Contact Technology Co. Ltd
<http://www.kunacon.com>