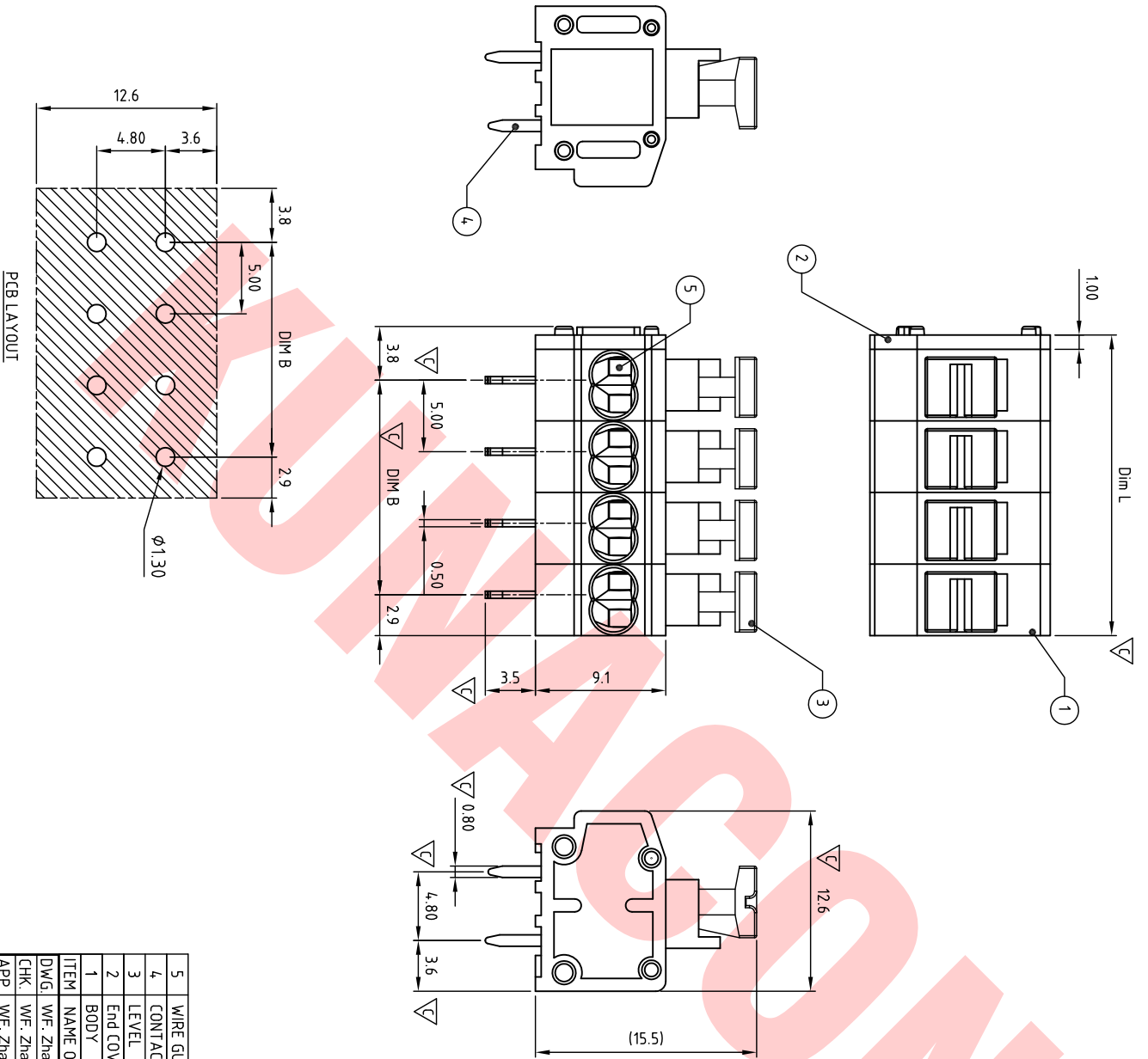


Transfer or duplication of this document as well as the utilisation or communication of its content are not permitted unless express consent is granted. Violations give rise to claims for damages. All rights reserved in case of patent, utility model or design patent registrations.



Technical data

1. Nominal voltage: 300V/8A  
PITCH: 5.0mm
2. Connection capacity:  
2xAWG 24-18
3. Insulation withstands Voltage:  
AC 1600V/MIN
4. Insulation Resistance:  
1000MΩ or more at DC500V
5. Stripping length: 9-10mm
6. Using temperature range: -40°C ~ 115°C  
Soldering temperature: 250±10°C / 5s
7. Undimmed stoned Tolerances:

Dim L = P x 5.0 ± 1.0	Dim B	Dim L
Dim B = (P - 1) x 5.0	0-30mm	±0.15
P = number of poles (1-24P)	over 30mm-60mm	±0.20
	over 60mm-90mm	±0.25
	over 90mm	±0.30
		±0.40

8. Safety approval:

9. RoHS Compliance

10. Critical dimension:

- SBDA500 xx X xxx  
 ① Poles 01-24  
 ② Color  
 0 Black 5 Green(RAL6018/K) 6 Blue(RAL5015)  
 8 Gray(RAL7004) 9 White(RAL1102).....  
 ③ Custom  
 000 "K" logo 00K KUNACON logo

5	WIRE GUARD	Stainless steel			P
4	CONTACT	BRASS		Tin PLATED	P
3	LEVEL	PA66 UL94V-0		White Color	P
2	END COVER	PA66 UL94V-0		ALL COLOR	1
1	BODY	PA66 UL94V-0		ALL COLOR	P

DWG.	WF. Zhang	DATE	2017.07.27	MM	SHEET:	1 OF 1	Tolerance
CHK.	WF. Zhang	DATE	2017.07.27	SCALE:	NONE 3:1 ( : )	REV.:	A
APP.	WF. Zhang	DATE	2017.07.27	TITLE:	SB-DA500 Series 180D		
				PART NO.:	SBDA500xxxxxx		
				DWG NO.:	SB-D500-B001		

△ SIGN DESCRIPTION CHK. DATE



KUNA Contact Technology Co., Ltd  
<http://www.kunacon.com>

