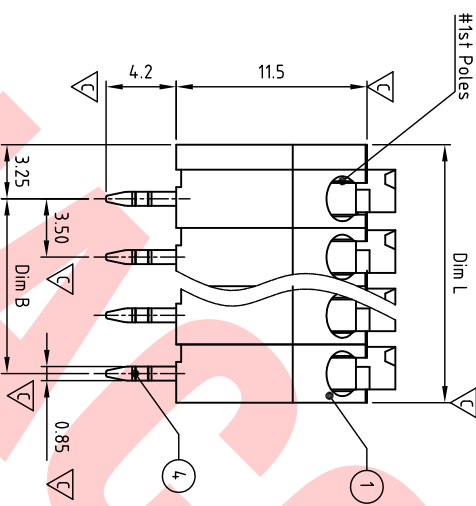
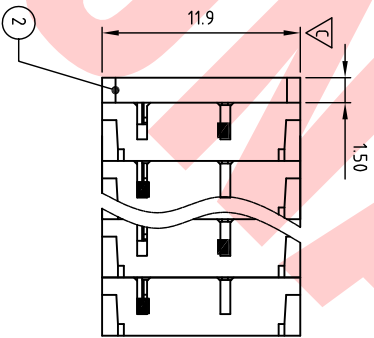
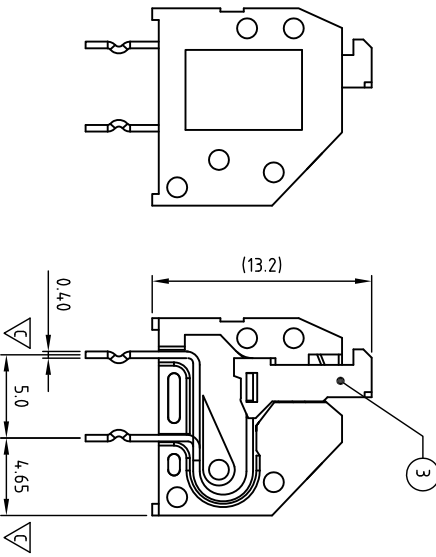
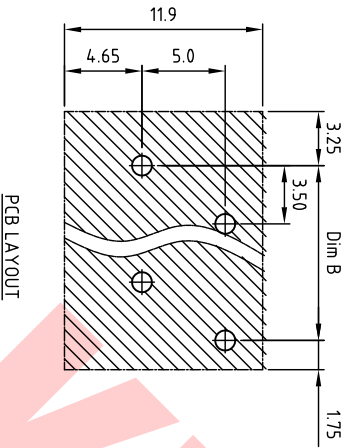


Transfer or duplication of this document as well as the utilisation or communication of its content are not permitted unless express consent is granted. Violations give rise to claims for damages. All rights reserved in case of patent, utility model or design patent registrations.



Technical data

- 1.Nominal voltage: 300V/5.5A
- PITCH:3.5mm
- 2.Connection capacity: AWG 22-16
- 3.Insulation Withstands Voltage: AC 1600V/MIN
- 4.Insulation Resistance: >1000MΩ or more at DC500V
- 5.Stripping length: 9-10mm
- 6.Using temperature range:-40C~+115C°
- Soldering temperature:250±10C°/75

7.Undimentioned Tolerances:

Dim.L=P×3.5+15	Dim B	Dim L
Dim.B= P-1 ×3.5	±0.15	±0.20
P = number of poles(2-24P)	±0.20	±0.25
	±0.25	±0.30
0-30mm	±0.30	±0.40
over 30mm-60mm		
over 60mm-90mm		
over 90mm		

- 8.Safety approval:
- 9.RoHS Compliance
- 10.Critical dimension:

SCAZ350 xx X xxx
 ① Poles 01-24
 ② Color
 0 Black 5 Green 6 Blue 8 Gray 9 White.....
 ③ Custom
 000 "K" logo 00K KUNACON logo

4	CONTACT	PHBZ	Tin PLATED	P
3	LEVEL	PA66 UL94V-0	ALL COLOR	P
2	END COVER	PA66 UL94V-0	ALL COLOR	1
1	BODY	PA66 UL94V-0	ALL COLOR	P

ITEM NAME OF PART		MATERIAL		NOTES	
DWG	WF. Zhang	DATE	2017.09.26	UNITS:	MM
CHK.	WF. Zhang	DATE	2017.09.26	SCALE:	NONE 5:1 (.)
APP.		DATE		REV.:	A
TITLE:		SC-AZ350 Series Double		Tolerance	
PART NO.:		SCAZ350XXXXXX		±0.50	
DWG NO.:		SC-A350-B001		±0.30	
				±0.10	
				±1°	

△	SIGN	DESCRIPTION	CHK.	DATE
---	------	-------------	------	------



KUNACON Contact Technology Co. Ltd
<http://www.kunacon.com>

