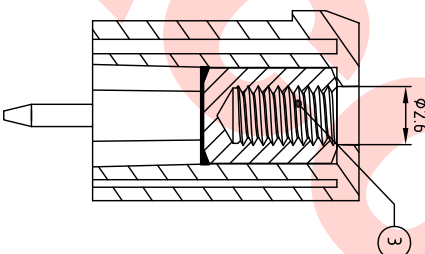
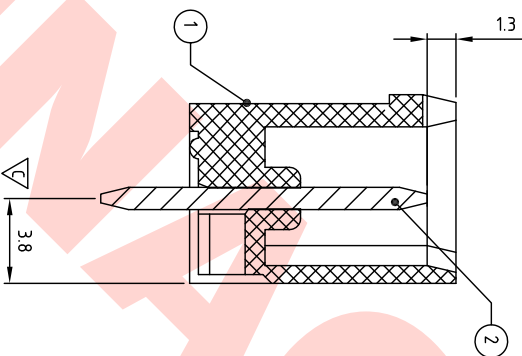


RECOMMENDED PCB LAYOUT



Technical data

1. Nominal voltage: 300V/15A (IEC 320V/12A) PITCH: 5.0mm
2. Insulation Withstands Voltage: AC 1600V/MIN / AC 2500V/MIN
3. Insulation Resistance: 1000MΩ or more at DC500V
4. Using temperature range: -40°C ~ 115°C
5. Soldering temperature range: 250°C ± 10°C / 5sec
6. Safety approval:
7. RoHS Compliance
8. Critical dimension:
9. Undimensioned Tolerances:

Dimension	Dim B	Dim L
0-30mm	±0.15	±0.20
over 30mm-60mm	±0.20	±0.25
over 60mm-90mm	±0.25	±0.30
over 90mm	±0.30	±0.40

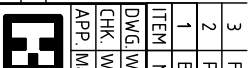
HACV500 XX X XXX

- ① Poles 02-24
- ② Color
- 0 Black 3 Orange 5 Green 6 Blue.....
- ③ Custom
- 000 K MARK 00K KUNACON MARK.....

ITEM	NAME OF PART	MATERIAL	NOTES	QTY
3	FLANGE NUT	BRASS		2
2	PIN	BRASS	TIN PLATED	P
1	BODY	PA66 UL94V-0		1

DWG. W/F.	DATE	UNITS	SHEET	1 OF 1	Tolerance
CHK. W/F. Zhang	DATE 2016.03.10	SCALE: NONE 3:1 (.)	REV. A		±0.50
APP. Marvin Zhang	DATE 2016.03.31	TITLE: HA-CV500 Series W/F/flange			±0.30
		(type Vertical (180D))			±0.10

PART NO.	DWG NO.	DESCRIPTION	SIGN	CHK.	DATE
HACV500XXXXXX	HAC-500-B001				



KUNA CONTACT TECHNOLOGY CO., LTD
<http://www.kunacon.com>